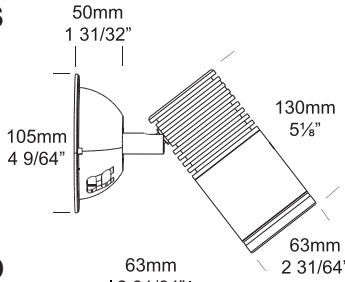


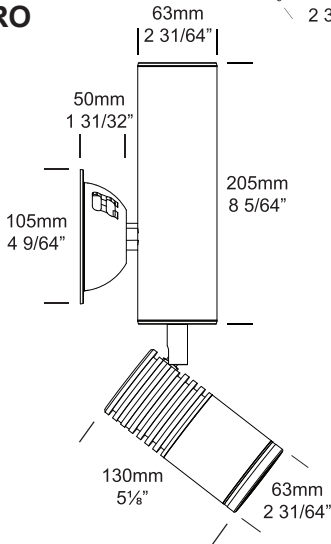
Tree Mount HIGH POWER

Cat. No. TM/HP

SERIES



RETRO



PURE LED
Pure Performance

The Tree Mount high Power LED has been designed so it can be mounted on a tree to create moon lighting effects. A cable connection can be made at the rear of the dome. This luminaire consists of a mounting dome and three 316 stainless steel bolts. The bolts initially fix the dome 40mm (1½") out from the tree's surface, which allows the tree to grow without causing any harm.

An alternative mounting option is the Tree Mount Kit Rubber Strap. The kit consists of a mounting dome and a one metre adjustable rubber strap, which expands as the tree grows.

The Hunza HIGH POWER LED system uses the latest Cree MT-G 2 chips for maximum performance and long life. Power supply options include a choice of a 110/240v (Retro) driver or an external remote (series connection) driver. The HIGH POWER LED system incorporates an innovative Plug-and-Play system for an easy replacement or upgrade of the LED engine. Four beam angles and a choice of 3000K, 4000K and 5000K colour temperatures are available.

Ordering Information

Luminaire	Driver mA	Beam Angle	Colour Temp	Accessories	Material/Finish
TM/HP	S - Series R - Retro	15 - 15° Reflector 38 - 38° Reflector 60 - 60° Reflector	3 - 3000K 4 - 4000K 5 - 5000K	CJK - Cable Joint Kit LENSSTEPF - Frosted Lens	BK - Black BZ - Bronze STAR - Silver Star WH - White

Ordering Example: TM/HP S 15 3 CJK BK

HUNZA™
PURE
OUTDOOR
LIGHTING

HUNZA FACTORY
130 Felton Mathew Ave
Glen Innes
Auckland 1072
New Zealand

Ph: 64-9-528 9471
Fax: 64-9-528 9361
hunza@hunza.co.nz
www.hunza.co.nz

INTERNATIONAL CONTACTS:
www.hunza.co.nz/contacts.php

Specifications may change without notice.
Manufactured in New Zealand.
© 2013 Hunza Holdings Ltd.

Luminaire Construction

CNC machined from:

High corrosion resistant 63.5mm (2½") x 10mm (25/64") aluminium.

HP body - solid aluminium 63.5mm (2½") rod with chromate substrate and high UV resistant polyester "E" powder coat colours Black, Bronze, Silver Star, White.

Mounting

The Tree Mount dome is secured to the tree with 3x 95mm (3¾") 316 stainless steel bolts.

The Tree Mount Rubber Strap version is secured to the tree with a one metre adjustable rubber strap.

Features

Lens:

6mm (3/8") extra clear low iron flush fit shatter resistant glass. Lifetime Warranty.

Gasket:

Silicone, iron impregnated 220°C (428°F)

LED

Cree MTG 2 Plug and Play, field replaceable LED board.

Lumen Output: up to 850 lm

Lumens Per watt: 70

CRI Warm White (3000k): 85+

Colour Temp: 3000K, 4000K or 5000K

Driver:

2000mA Plug and Play, field replaceable and dimmable.

Accessories:

Cable Joint Kit (Cat. CJK150)

Frosted Lens (Cat. LENSSTEPF)

Swivels:

360° rotation and 0 - 90° elevation, solid brass with anti rust spring.

Standards

IP66



UL 1838

Luminaire Weight

12 volt: .870kg (1lb 14oz)

Power Supply

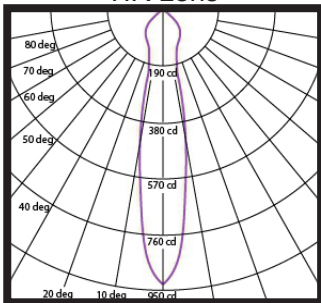
Series: 6 volts at 2000mA dc supplied to fixture
Retro: 110/240v supplied to the fixture.

Luminaire supplied with

Cree MTG-2 12 watt Plug-and-Play replaceable LED board.

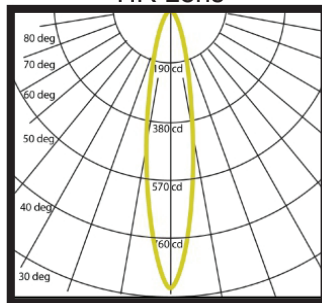
Reflector Beam Angles

TIR Lens



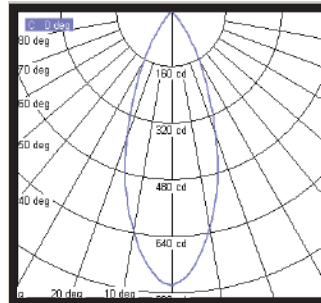
15° Angle
3000 K

TIR Lens



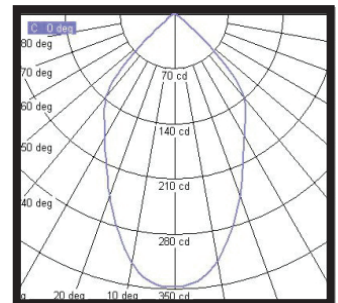
25° Angle
3000 K

Machined Reflector



38° Angle
3000 K

Machined Reflector



60° Angle
3000 K