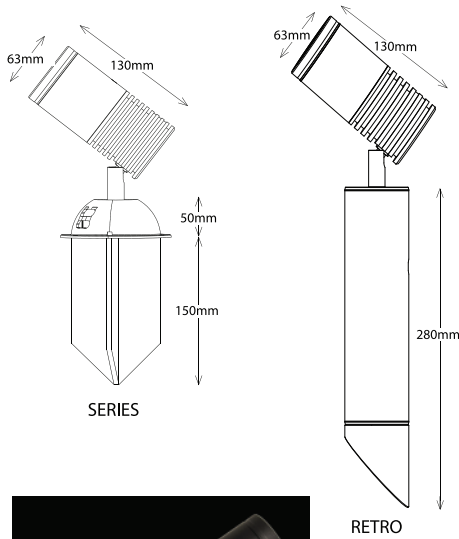


# Spike Spot HIGH POWER



PURE LED  
Pure Performance



The Spike Spot High Power LED has been designed for an easy installation into the earth and is ideal for illuminating a bush, tree or any landscape feature. The fully adjustable head allows 360 degree rotation and 0-90 degree elevation.

This luminaire is machined from solid aluminium with a UV stable "E" powder coated finish. It features a clear, tempered, flush glass lens and high temperature silicon gaskets.

The Hunza HIGH POWER LED system uses Cree MT-G 2 chips for maximum performance and long life. Power supply options include a choice of a 110/240 volt (Retro) driver or an external remote (series connection) driver. The HIGH POWER LED system incorporates Hunza's Plug-and-Play system for easy replacement of the LED engine. Four beam angles, and a choice of 3000K, 4000K and 5000K colour temperatures are available.



## Ordering Information

Luminaire	Driver mA	Beam Angle	Colour Temp	Accessories	Material/Finish
SS/HP	S - Series R - Retro	15 - 15° TIR Lens 25 - 25° TIR Lens 38 - 38° Reflector 60 - 60° Reflector	3 - 3000K 4 - 4000K 5 - 5000K	CJK - Cable Joint Kit STEPF - Frosted Lens	BK - Black BZ - Bronze STAR - Silver Star WH - White

Ordering Example: SS/HP S 15 3 CJK BK

**HUNZA**<sup>TM</sup> PURE  
OUTDOOR  
LIGHTING

HUNZA FACTORY  
130 Felton Mathew Ave  
Glen Innes  
Auckland 1072  
New Zealand

Ph: 64-9-528 9471  
Fax: 64-9-528 9361  
hunza@hunza.co.nz  
www.hunza.co.nz

INTERNATIONAL CONTACTS:  
[www.hunza.co.nz/contacts.php](http://www.hunza.co.nz/contacts.php)

Specifications may change without notice.  
Manufactured in New Zealand.  
© 2013 Hunza Holdings Ltd.

## Luminaire Construction

**CNC machined from one of the following metals:**

HP Body - High corrosion resistant 63.5mm (2½") x 10mm (25/64") solid aluminium.

Driver housing (Retro) - 63.5mm (2½") x 3.25mm (1/8") Aluminium tube.

With chromate substrate and high UV resistant polyester "E" powder coat colours Black, Bronze, Silver Star, and White.

## Mounting

Ground spike 150mm (6") or 300mm (12") directly into the earth.

Retro - Driver housing pole 280mm (11 1/32") directly into the earth.

## Features

### Cable:

Water resistant rubber with Hunza™ Anti-Syphon™ water barrier system.

### Lens:

3mm extra clear low iron shatter resistant glass.

Lifetime Warranty.

### Gasket:

Silicone, iron impregnated 220°C (428°F)

### LED

Cree MTG 2 Plug and Play, field replaceable LED board.

**Lumen Output:** up to 850 lm

**Lumens Per watt:** 70

**CRI Warm White (3000k):** 85+

**Colour Temp:** 3000K, 4000K or 5000K

### Driver:

2000mA Plug and Play, field replaceable and dimmable.

### Accessories:

Cable Joint Kit (Cat. CJK150)

Frosted Lens (Cat.STEPF)

## Standards

IP56/IP66  
AS/NZS 61046  
UL 1838



### Luminaire Weight

12 volt: .870kg (1lb 14oz)

### Power Supply

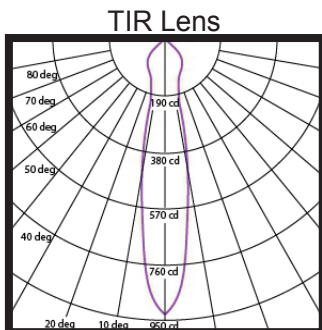
Series: 6 volts at 2000mA dc supplied to fixture

Retro: 110/240 volts ac supplied to fixture.

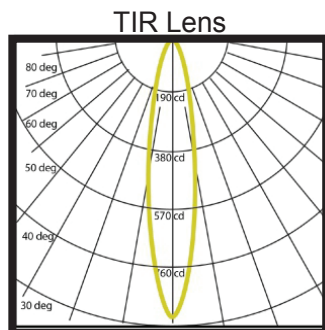
### Luminaire supplied with:

Cree MTG-2 12 watt Plug and Play replaceable LED board.

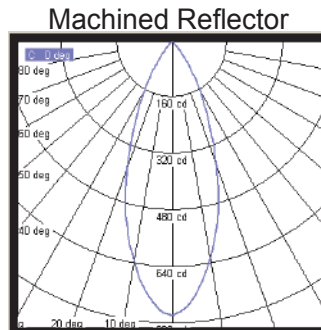
## Reflector Beam Angles



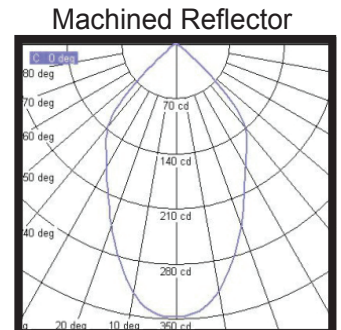
15° Angle  
3000 K



25° Angle  
3000 K



38° Angle  
3000 K



60° Angle  
3000 K

**HUNZA**™ PURE  
OUTDOOR  
LIGHTING

HUNZA FACTORY  
130 Felton Mathew Ave  
Glen Innes  
Auckland 1072  
New Zealand

Ph: 64-9-528 9471  
Fax: 64-9-528 9361  
hunza@hunza.co.nz  
www.hunza.co.nz

INTERNATIONAL CONTACTS:  
[www.hunza.co.nz/contacts.php](http://www.hunza.co.nz/contacts.php)

Specifications may change without notice.  
Manufactured in New Zealand.  
© 2013 Hunza Holdings Ltd.