

SafeTouch™ 50

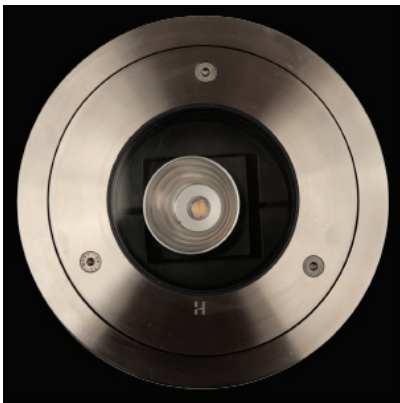
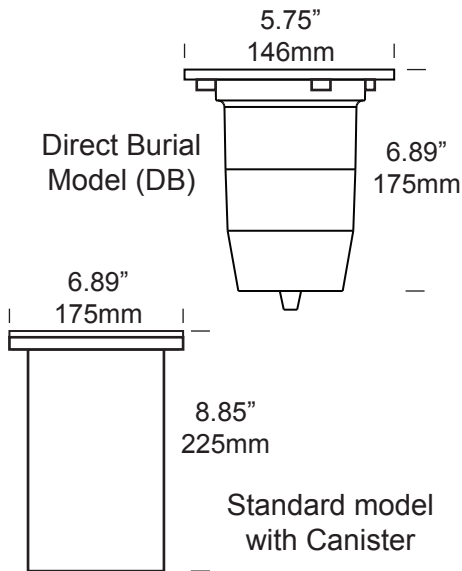
PURE LED

Cat. NO ST50/L

Cat. NO ST50/DB/L



PURE LED
Pure Performance



The SafeTouch™ 50 PURE LED inground luminaire has been specifically designed with ultimate public safety as its primary objective. It produces high-output optically pure light, but operates with cool lens temperatures, low energy consumption and minimal maintenance. It has a fully adjustable gimble allowing 360° rotation and 0-20° elevation. This luminaire is extremely tough, durable and waterproof, making it ideal for installation in public spaces, large-scale projects and residential areas.

The Hunza PURE LED system uses the latest Cree MT-G 2 LED chips for maximum performance and long life. Power supply options include a choice of integral 90-305 volt driver or an external remote driver. The integral driver has a 0-10 volt dimming function.

The PURE LED system incorporates an innovative Plug-and-Play system for easy replacement or upgrade of either the LED engine or integral driver.

A Direct Burial option (ST50/DB/L) is available without the mounting canister, for installation directly in the soil or where there is limited depth.

Ordering Information

Luminaire	Driver mA	Beam Angle	Colour Temp	Accessories	Flange Option
ST50/L	S - Series	15 - 15° TIR Lens	3 - 3000K	ST50AS - Anti Slip Lens	SBZ - Solid Bronze
ST50/DB/L	R - Retro	25 - 25° TIR Lens	4 - 4000K	CJK150 - Cable Joint Kit	SS - Stainless Steel
		38 - 38° Reflector	5 - 5000K	ST50HCR - Hex Cell Louver	SSP - Polished Stainless Steel
		60 - 60° Reflector		ST50FL - Frosted Lens	

Ordering Example: ST50/L S 15 3 ST50AS SS

HUNZA™ PURE OUTDOOR LIGHTING

HUNZA FACTORY
130 Felton Mathew Ave
Glen Innes
Auckland 1072
New Zealand

Ph: 64-9-528 9471
Fax: 64-9-528 9361
hunza@hunza.co.nz
www.hunza.co.nz

INTERNATIONAL CONTACTS:
www.hunza.co.nz/contacts.php

Specifications may change without notice.
Manufactured in New Zealand.
© 2013 Hunza Holdings Ltd.

Luminaire Construction

Body:

Cast from virgin high corrosion resistant very low copper (.001%) aluminium alloy, with chromate substrate, epoxy water resistant layer and high UV resistant polyester powder coat top layer.

Body Colour:

Black

Flanges:

The flange is attached to the body by three 316 Stainless Steel allen head anti vandal screws with anti gall threaded inserts and is machined from either Solid Bronze or 316 stainless steel.

Solid Bronze - 175mm x 6mm (6 7/8" x 1/4").

316 Stainless Steel - 175mm x 6mm (6 7/8" x 1/4").

Mounting

The Safe Touch™50 is supplied with double layer coated alloy heat dissipating mounting canister for casting in the ground or in concrete. Maximum drive over speed 10 kp/h (6mp/h) and maximum weight is 2000kg (4400lbs).

Features

Lens:

10mm (3/8") extra clear low iron flush fit shatter resistant glass. Lifetime Warranty.

Gasket:

Silicone, iron impregnated 220°c (428°f)

LED

Cree MTG 2 Plug-and-Play, field replaceable LED board.

Lumen Output: 750 at 2080mA

Lumens Per watt: 65

CRI Warm White (3000k): 85+

Colour Temp: 3000K, 4000K or 5000K.

Retro Driver:

Input: Integral 90-305 volt,

Output: 2080mA constant current
0-10 volt dimmable

UL & cUL class 2 output

Series remote driver version also available.

Accessories:

Cable Joint Kit (Cat. CJK150)

Frosted Lens (Cat. St50FL)

Hex Cell Louver (Cat. ST50HCR)

Anti-Slip Lens (Cat. ST50AS)

Standards

BS/EN 60598.2.2

IP67

UL 1598



Luminaire Weight

SS: 3kg (6.62lbs)

Power Supply

Integral, 90-305v input
(2080mA)

0-10v dimmable

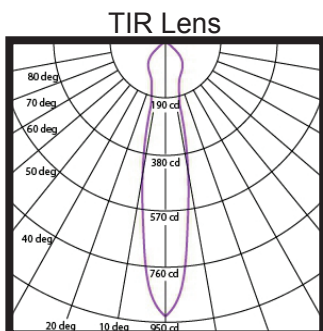


Luminaire supplied with:

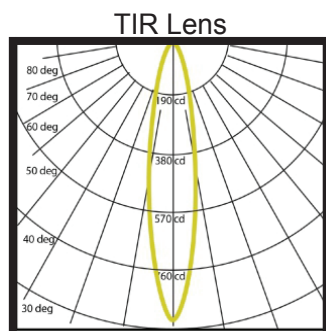
Cree MTG Chip Light Engine



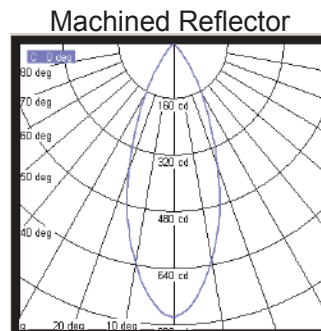
Reflector Beam Angles



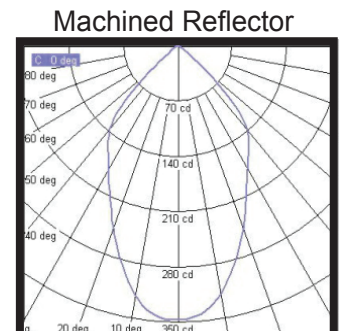
15° Angle
3000 K



25° Angle
3000 K



38° Angle
3000 K



60° Angle
3000 K

HUNZA™ PURE
OUTDOOR
LIGHTING

HUNZA FACTORY
130 Felton Mathew Ave
Glen Innes
Auckland 1072
New Zealand

Ph: 64-9-528 9471
Fax: 64-9-528 9361
hunza@hunza.co.nz
www.hunza.co.nz

INTERNATIONAL CONTACTS:
www.hunza.co.nz/contacts.php

Specifications may change without notice.
Manufactured in New Zealand.
© 2013 Hunza Holdings Ltd.