

# V1 RECESSED DOWNLIGHT



ECO



REPLACEABLE  
LED



UNIQUE  
DESIGN



EASY  
INSTALL



NO  
MAINTENANCE



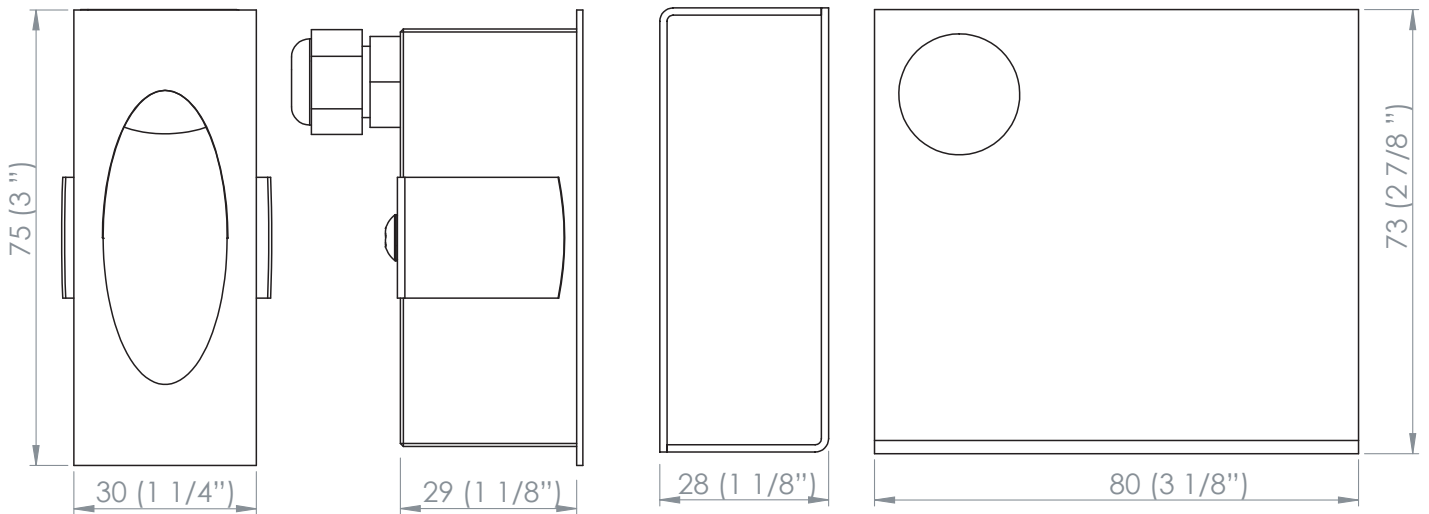
NZ MADE

## SPECIFICATIONS

<b>Power</b>	1 Watt @ 350mA
<b>Ingress Protection Rating</b>	IP65
<b>Cable</b>	H05RN - F 150mm included
<b>Material</b>	Powdercoated anodised aluminium body. Stainless clip and screws. 316 Stainless steel canister.
<b>Removable Light Engine</b>	Screw mounted 1W Cree XTE Chip
<b>Colour Temperature</b>	Warm White 3000°K Neutral White 4000°K Cool White 5000°K Red, Green, Blue, Amber
<b>CRI</b>	Ra 85
<b>Efficacy</b>	55 Lm/W
<b>Optical character</b>	Assymetrical wash
<b>Input Current</b>	500mA maximum
<b>Driver</b>	Remote



## DIMENSIONS



## INSTALLATION INSTRUCTIONS

Connect in series. IP68 connector recommended. Never switch the output of a constant current driver. Driver must be switched off when connecting LED's to prevent damage.

## ACCESSORIES

Stainless steel canister

## SERIES INSTALLATION FOR REMOTE DRIVER

