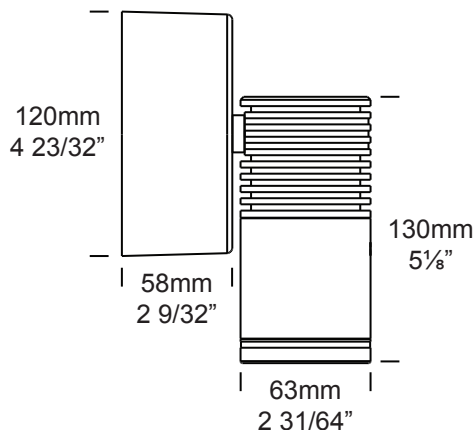


# Down Lite HIGH POWER

Cat. No. DL/HP



**PURE LED**  
Pure Performance

The Down Lite High Power LED is suitable for mounting on timber, masonry, stone, etc. non-adjustable for one way wall washing, can be mounted with the lamp directed up or down. Water resistant with a 120mm diameter mounting base, complete with stainless steel screws.

This luminaire is machined from solid aluminium with a UV stable "E" powder coated finish. It features a clear, tempered, flush glass lens and high temperature silicon gaskets.

The Hunza HIGH POWER LED system uses Cree MT-G 2 chips for maximum performance and long life. Power supply options include a choice of a 120/240 volt (Retro) driver or an external remote (series connection) driver. The HIGH POWER LED system incorporates Hunza's Plug-and-Play system for easy replacement of the LED engine. Four beam angles, and a choice of 3000K, 4000K and 5000K colour temperatures are available.



## Ordering Information

Luminaire	Driver mA	Beam Angle	Colour Temp	Accessories	Material/Finish
DL/HP	S - Series R - Retro	15 - 15° TIR Lens 25 - 25° TIR Lens 38 - 38° Reflector 60 - 60° Reflector	3 - 3000K 4 - 4000K 5 - 5000K	GG - Glare Guard STEPF - Frosted Lens WB - Wall Box Adaptor GG - Glare Guard	BK - Black BZ - Bronze STAR - Silver Star WH - White

Ordering Example: DL/HP S 15 3 GG BK

**HUNZA**™ PURE OUTDOOR LIGHTING

HUNZA FACTORY  
130 Felton Mathew Ave  
Glen Innes  
Auckland 1072  
New Zealand

Ph: 64-9-528 9471  
Fax: 64-9-528 9361  
hunza@hunza.co.nz  
www.hunza.co.nz

INTERNATIONAL CONTACTS:  
www.hunza.co.nz/contacts.php

Specifications may change without notice.  
Manufactured in New Zealand.  
© 2013 Hunza Holdings Ltd.

## Luminaire Construction

### CNC machined from:

High corrosion resistant 63.5mm (2½") x 10mm (25/64") aluminium.

HP body - solid aluminium  
63.5mm (2½") rod with chromate substrate and high UV resistant polyester "E" powder coat colours  
Black, Bronze, Silver Star, White.

### Mounting

The luminaire is mounted to the wall using two 316 stainless screws through a shallow base 16mm (5/8") in depth. A Wall Box Adaptor Plate is available as an accessory to fit 3.0 and 4.0 Junction boxes for USA /Canada.

Retro™ luminaire (110/240volt):  
A mounting plate is fixed to the wall using two screws and the luminaire is fitted to the mounting plate.

## Features

### Lens:

10mm (3/8") extra clear low iron flush fit shatter resistant glass.  
Lifetime Warranty.

### Gasket:

Silicone, iron impregnated 220°C (428°F)

### LED

Cree MTG 2 Plug and Play, field replaceable LED board.

**Lumen Output:** up to 850 lm

**Lumens Per watt:** 70

**CRI Warm White (3000k):** 85+

**Colour Temp:** 3000K, 4000K or 5000K

### Driver:

2000mA Plug and Play, field replaceable and dimmable.

### Accessories:

Cable Joint Kit (Cat. CJK150)

Frosted Lens (Cat. STEPF)

Wall Box Adaptor (Cat. WB)

Glare Guard (Cat. GG)

## Standards

IP56/IP66  
AS/NZS 61046  
UL 1838



### Luminaire Weight

.870kg (1lb 14oz)

### Power Supply

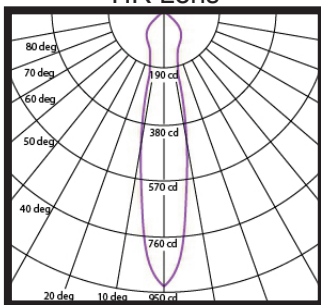
Series: 6 volts at 2000mA dc supplied to fixture  
Retro: 110-240 volts ac supplied to fixture.

### Luminaire supplied with:

Cree MTG-2 12 watt Plug and Play replaceable LED board.

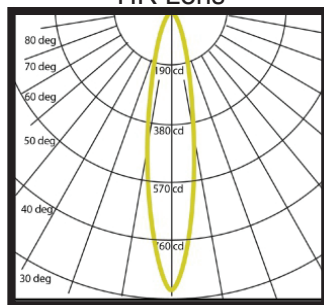
## Reflector Beam Angles

TIR Lens



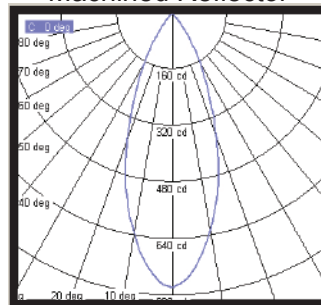
15° Angle  
3000 K

TIR Lens



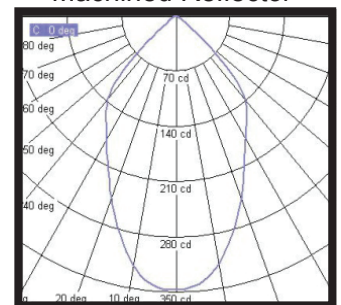
25° Angle  
3000 K

Machined Reflector



38° Angle  
3000 K

Machined Reflector



60° Angle  
3000 K