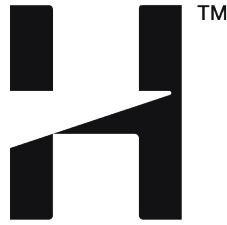


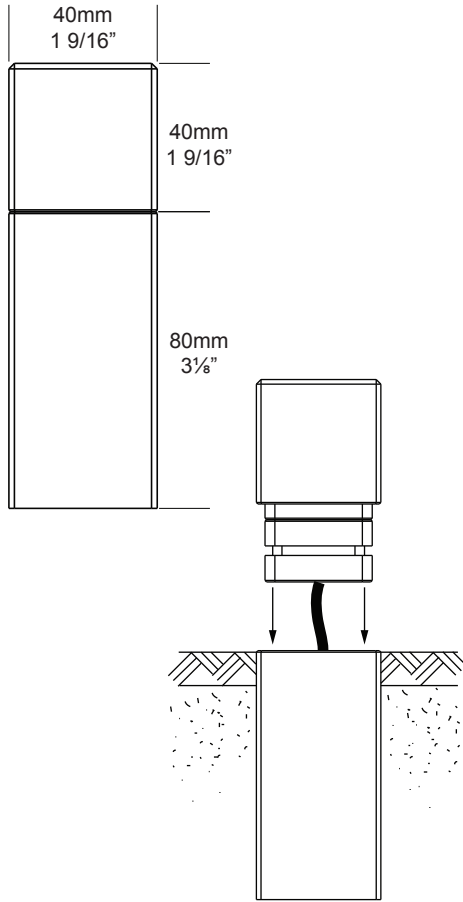
# Cube Recessed Quartz

## PURE LED

Cat. No. CREQZ



PURE LED  
Pure Performance



The Cube Recessed Quartz can be mounted in the wall or ground to illuminate landscapes while maintaining a low profile.

The Cube Recessed Quartz is constructed from solid Aluminium with a layer of polyester UV stable powder coat, or from solid 316 Stainless Steel with an electropolished finish.

The Hunza PURE LED system uses Cree XTE chips for maximum performance and long life. Power supply options include a choice of 12 volt driver or an external remote driver (series connection). The PURE LED system incorporates HUNZA's Plug-and-Play system for easy replacement of either the LED engine in the field. Four beam angles and a choice of 3000K, 4000K, 5000K and Blue colour temperatures are available.

### Ordering Information

Luminaire	Driver mA	Colour Temp	Accessories	Material/Finish
CREQZ	S - Series D3 - 12v 350mA D7 - 12v 700mA	3 - 3000K 4 - 4000K 5 - 5000K B - Blue	FM - Flange Mount CJK - Cable Joint Kit	BK - Black WH - White BZ - Bronze STAR - Silver Star SS - 316 Stainless

Ordering Example: CREQZ S 3 FM BK

**HUNZA**™ PURE OUTDOOR LIGHTING

HUNZA FACTORY  
130 Felton Mathew Ave  
Glen Innes  
Auckland 1072  
New Zealand

Ph: 64-9-528 9471  
Fax: 64-9-528 9361  
hunza@hunza.co.nz  
www.hunza.co.nz

INTERNATIONAL CONTACTS:  
www.hunza.co.nz/contacts.php

Specifications may change without notice.  
Manufactured in New Zealand.  
© 2013 Hunza Holdings Ltd.

## Luminaire Construction

**CNC machined from one of the following metals:**

### Aluminium

Head: 40mm (1 9/16") x 40mm (1 9/16") acrylic.

Canister: 40mm (1 9/16") x 4 (3/16") aluminium square tube.

### Stainless Steel

Head: 40mm (1 9/16") x 40mm (1 9/16") acrylic.

Canister: 40mm (1 9/16") x 3 (3/16") aluminium square tube.

## Mounting

Cast or set canister into horizontal or vertical surface. Make sure front surface is flush and square with substrate. Push body and head into canister until O-ring clicks and holds.

## Features

### Lens:

Acrylic lens with lifetime warranty.

**Do not** clean with petrochemical substances.

### Gasket:

Silicone, iron impregnated 220°C (428°F)

### LED

Cree XTE Plug and Play, field replaceable LED board.

**Lumen Output:** 200

**CRI Warm White (3000k):** 85+

**Colour Temp:** 3,000K, 4,000K, 5000K, and Blue.

### Driver

12 volt ac/dc Hunza driver 350mA or 700mA.

Remote Driver (series) Hun1050 1050mA max. dimmable.

### Accessories:

Cable Joint Kit (Cat. CJK150)

## Standards

IP66  
AS/NZS 61046

### Power Supply

12 volt ac/dc Hunza Driver

Input: 12 vac/vdc 4 watt

Output: 3.0 vF 350mA

3.0 vF 700mA

Remote Hunza 1050mA driver.

### Luminaire supplied with:

Cree XTE 1-3 watt Plug and Play replaceable LED board.